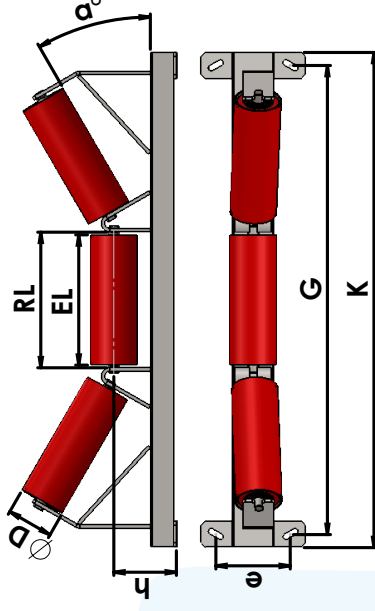
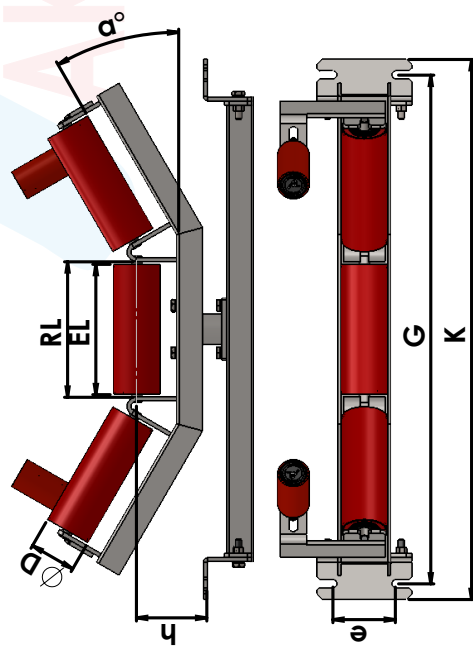


TIP 1

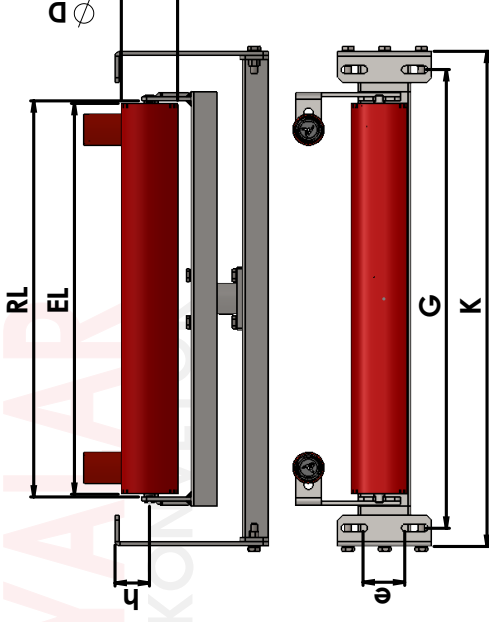


TIP 2

| No | h | α° | G | K | e | EL | $\emptyset D$ | Şase Tip |
|----|---|----------------|---|---|---|----|---------------|----------|
| 1 | | | | | | | | |
| 2 | | | | | | | | |
| 3 | | | | | | | | |



TIP 3



TIP 4